

ROBA[®]-multiswitch / Type 019.100.2

Application

ROBA[®]-multiswitch fast acting rectifiers are used to connect DC consumers to alternating voltage supplies, for example electromagnetic brakes and clutches (ROBA-stop[®], ROBA[®]-quick, ROBATIC[®]) as well as electromagnets, electrovalves, etc.

Fast acting rectifier ROBA[®]-multiswitch 019.100.2

- Consistently controlled output voltage in the entire input voltage range
- Consumer operation with overexcitation or power reduction
- Input voltage: 100 - 500 VAC
- Maximum output current: 2 A



ROBA[®]-multiswitch units are not suitable for all applications, e.g. use of the ROBA[®]-multiswitch when operating noise-damped brakes is not possible without taking additional measures. The product's suitability should be checked before use.

Function

The ROBA[®]-multiswitch is (dependent on size) used for operation at an input voltage of between 100 and 500 VAC, depending on the size. After switch-on, it emits the rectified bridge voltage for 50 ms and then control the 90 or 180 VDC overexcitation voltages. After the overexcitation time, they control the 52 or 104 VDC holding voltages. The overexcitation time can be adjusted via a DIP switch to 150 ms, 450 ms, 1 s, 1.5 s and 2 s.

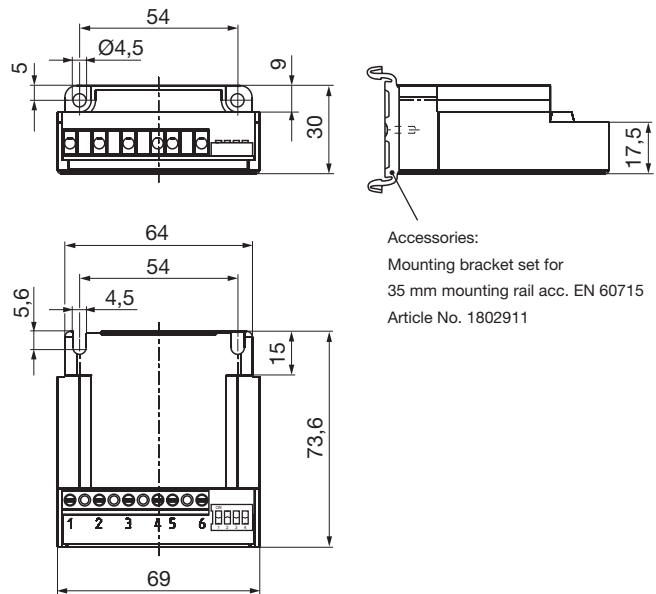
Electrical Connection (Terminals)

- 1 + 2 Input voltage (fitted protective varistor)
- 3 + 4 Connection for external contact for DC-side switch-off
- 5 + 6 Output voltage (fitted protective varistor)

Technical Data

Input voltage	see Table 1
Output voltage	see Table 1
Protection	IP65 components, IP20 terminals
Terminal nom. cross-section	1.5 mm ² (AWG 22-14)
Ambient temperature	-25 °C up to +70 °C
Storage temperature	-40 °C up to +105 °C

Dimensions (mm)



Accessories:
 Mounting bracket set for
 35 mm mounting rail acc. EN 60715
 Article No. 1802911

ROBA[®]-multiswitch Sizes, Table 1

	Size	
	10	20
Input voltage VAC ± 10 % acc. EN 50160	100 - 275	200 - 500
Frequency input voltage Hz	50 - 60	50 - 60
Output voltage U _o VDC ± 10 %	90	180
Output voltage U _H VDC ± 10 %	52	104
Output current I _{RMS} at ≤ 45 °C ADC	2.0	2.0
Output current I _{RMS} at max. 70 °C ADC	1.0	1.0
Conformity markings		

Order number

— / 0 1 9 . 1 0 0 . 2



Size
 10
 20